

Full HD HD-SDI Camera **KP-HD2005R-S5**

Full HD / CMOS / 0.009 lux / NIR Sensor



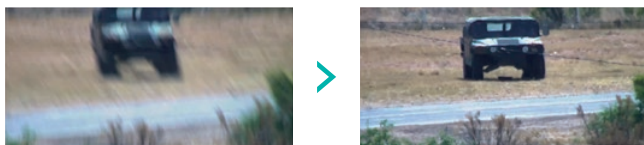
- Full HD 2.38 mega-pixel 1/1.9" high sensitivity CMOS image sensor.
- Standard C-mount lens permits use of a wide range of long zoom lenses.
- CMOS sensor produces HD pictures at 30/25 fps, progressive scan output.
- Ultra low-light capability at 0.009 lux (COLOR, F1.2, AGC 75dB, GAMMA HIGH, SEN UP:OFF)
- More than 60dB S/N (HD-SDI & VBS outputs, AGC 0dB, DETAIL -128, GAMMA OFF)
- Ultra-high sensitivity NIR Sensor Technology. (B&W)
- Camera offers focus output function. When used with Hitachi's IF-PCB interface, it dramatically improves zoom lens Auto Focus speed & accuracy.
- Single cable connectivity for power, video via Coax Cable.



Rear Panel

Motion Stabilizer

Motion Stabilizer (with Hitachi's VG-2000PCB)
2000mm Zoom Lens x60 Zoom



Before

After

Real Time Heat Haze Correction

Heat & Haze correction, 2000mm Zoom Lens
x60 Zoom (with Hitachi's VG-2000PCB).

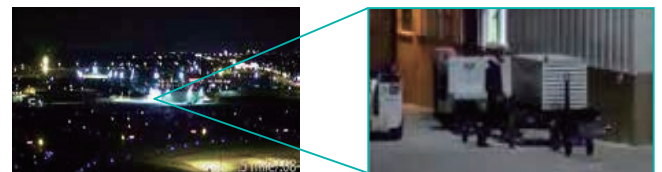


Before

After

Long Range, Low-Light Capability

2000mm zoom lens. 1/2 mile distance, low light

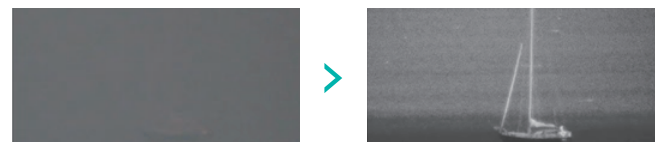


No Zoom

x60 Zoom

Fog & Smoke Reduction

Adaptive Defog. B&W with Visible Cut (LENS Option) Filter allows camera to see through fog in real time.



OFF

ON

Main Specifications

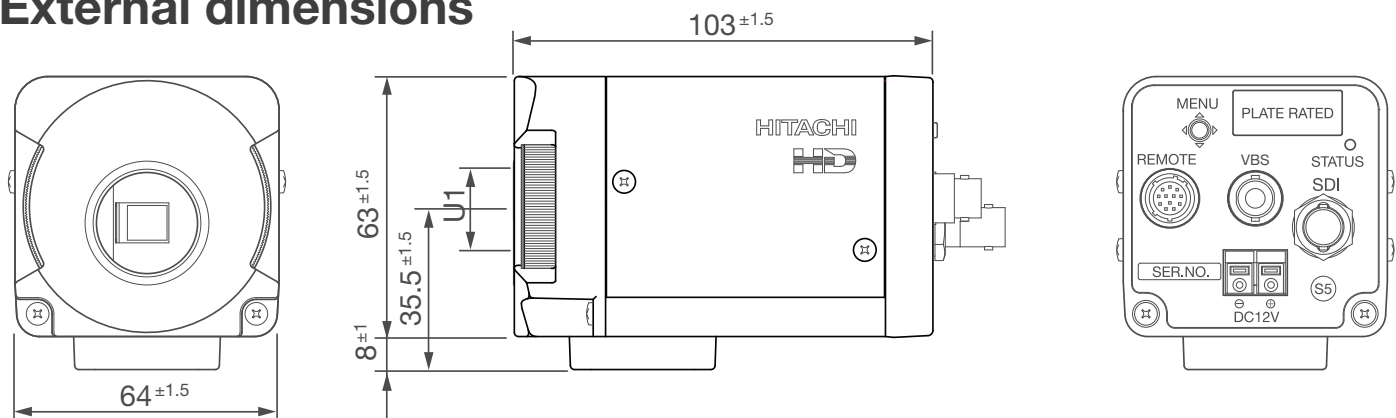
KP-HD2005R-S5

| | |
|----------------------|--|
| Imaging Device | 1/1.9 CMOS (RGB Bayer color) |
| Total pixels | 1952(H) X 1241(V) 2.4M pixels |
| Effective pixels | 1937(H) X 1097(V) 2.38M pixels |
| Imaging System | Progressive 30 fps / 25 fps (P-type) |
| Sync system | Internal |
| Video output | HD-SDI (SMPTE292M) & Analog VBS (selectable PAL or NTSC) |
| Video format | HD-SDI: 1080/59.94i, 1080/29.97p, 1080/50i, 1080/25p |
| Minimum illumination | Color : 0.009 lux (F1.2 AGC:75dB, Gamma: High, SEN UP OFF) B&W : 0.0005 lux (F1.2 AGC:75dB, Gamma: High, SEN UP OFF) *3200K Tungsten lamp used for testing |
| S/N ratio | More than 60dB |
| Resolution | Horizontal resolution more than 800 lines TV lines |

OPERATIONAL

| | |
|---------------------------------|--|
| AGC | OFF / Auto (Max Gain 75dB, fog OFF, Max Gain 42dB, fog ON) |
| Electronic shutter | OFF / AES / Manual (1/30 to 1/100000 sec) |
| Electronic sensitivity (SEN UP) | OFF / Auto (Max 60 times) / Manual (2 to 30 times) |
| Fog Reduction | OFF / ON / Auto (1 to 128 levels) |
| Day & Night (W/B switching) | COLOR / B&W / Auto (ICR) |
| BLC | OFF / ON (photometry area with ROI capability) |
| White Balance | Auto : ATW Manual : Manual (2500K – 8000K) |

External dimensions



These Specifications are subject to change without notice.

CAUTION : To ensure safe operation, please read the instruction manual before using this product.

Hitachi Kokusai Electric Inc.

URL : <https://www.hitachi-kokusai.co.jp/global/en/index.html>
32, Miyuki-cho, kodaira-shi, Tokyo 187-8511, Japan
Phone : +81-50-3383-3432, Fax : +81-42-322-3303

Hitachi Kokusai Electric Asia (Singapore) Pte. Ltd.

URL : <http://www.hitachi-kokusai.com.sg/>
7 Tampines Grande, #02-02A Hitachi Square,
Singapore 528736
Phone : +65-(0)6212-1945, Fax : +65-(0)6231-2429

Hitachi Kokusai Electric America, Ltd.

URL : <http://www.hitachikokusai.us/>
Headquarters
104 Feeding Hills Road Southwick, MA 01077, U.S.A.
Toll Free : +1 (833) 227-1658,
Phone : +1 (669) 207-5038

West Office
11258 Monarch Street, Unit H
Garden Grove, CA 92841, U.S.A.

West Sales Phone : +1 (516) 682-4448

East Sales Phone : +1 (516) 682-4445

Midwest Sales Phone : +1 (516) 682-4450

South Sales Phone : +1 (516) 682-4453

Canada / Latin Sales Phone : +1 (516) 682-4408

Hitachi Kokusai Electric Europe GmbH

URL : <http://www.hitachi-keu.com/>
Frankfurt Head Office
Siemensstr. 9, D-63263 Neu-Isenburg, Germany
Phone : +49 (0) 6102-8332-0, Fax : +49 (0) 6102-202616

London Office
Orion House, Bessemer Road, Welwyn Garden City, Herts,
AL7 1HH, UK
Phone : +44 (0) 7808 330195

Hitachi Kokusai Linear Equipamentos Eletrônicos S/A

URL : <http://www.hitachi-linear.com.br/>
Rodovia BR 459, No121-A, Km 121 - Bairro Corrego Raso,
Santa Rita do Sapucaí, 37540-000, MG - Brazil
Phone : +55 (35) 3473-3473, Fax : +55 (35) 3473-3474